



SOUTHERN CALIFORNIA  
EDISON®

Energy for What's Ahead®

# Charge Ready Transport

*Electrifying Truck and Bus Fleets*

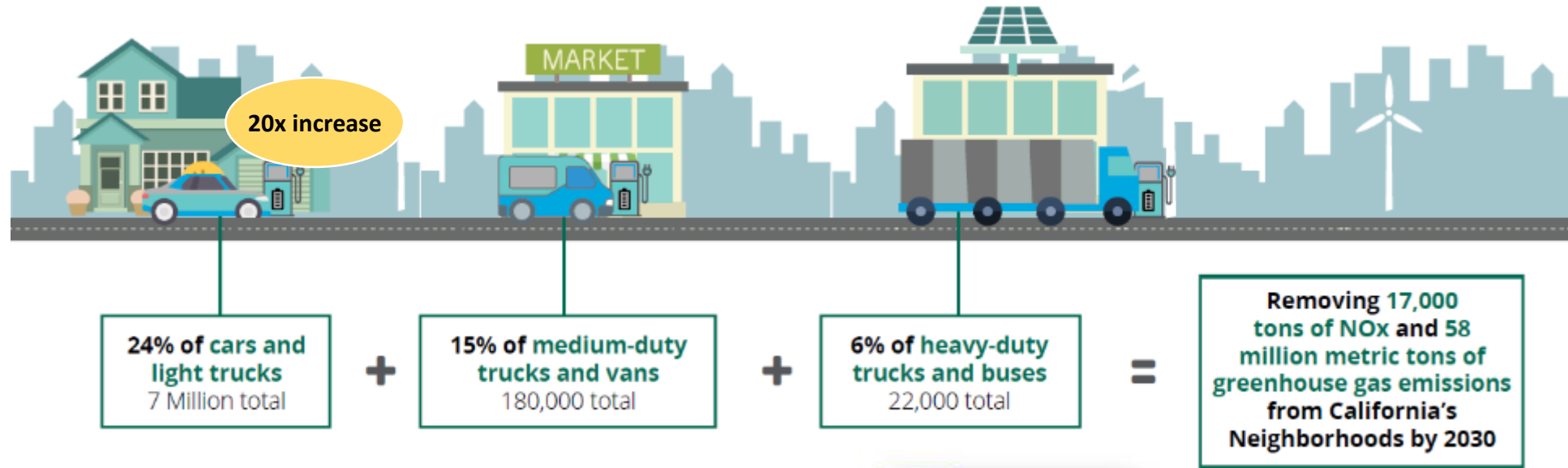
**Andrew Papson**

Advisor eMobility

August 15, 2019



# Transportation Electrification Pathway to 2030



Clean Power and Electrification Pathway  
white paper available at:  
[sce.com/pathwayto2030](https://www.sce.com/pathwayto2030)

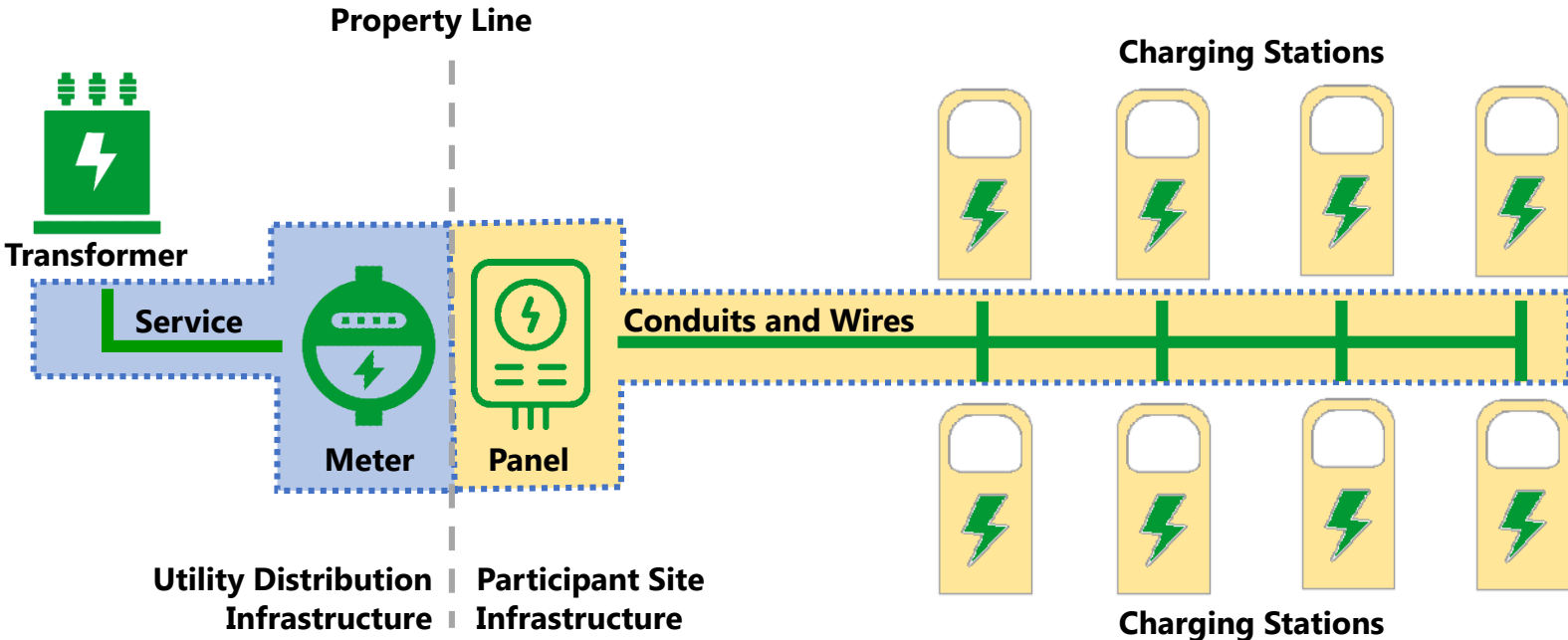






## Charge Ready Transport

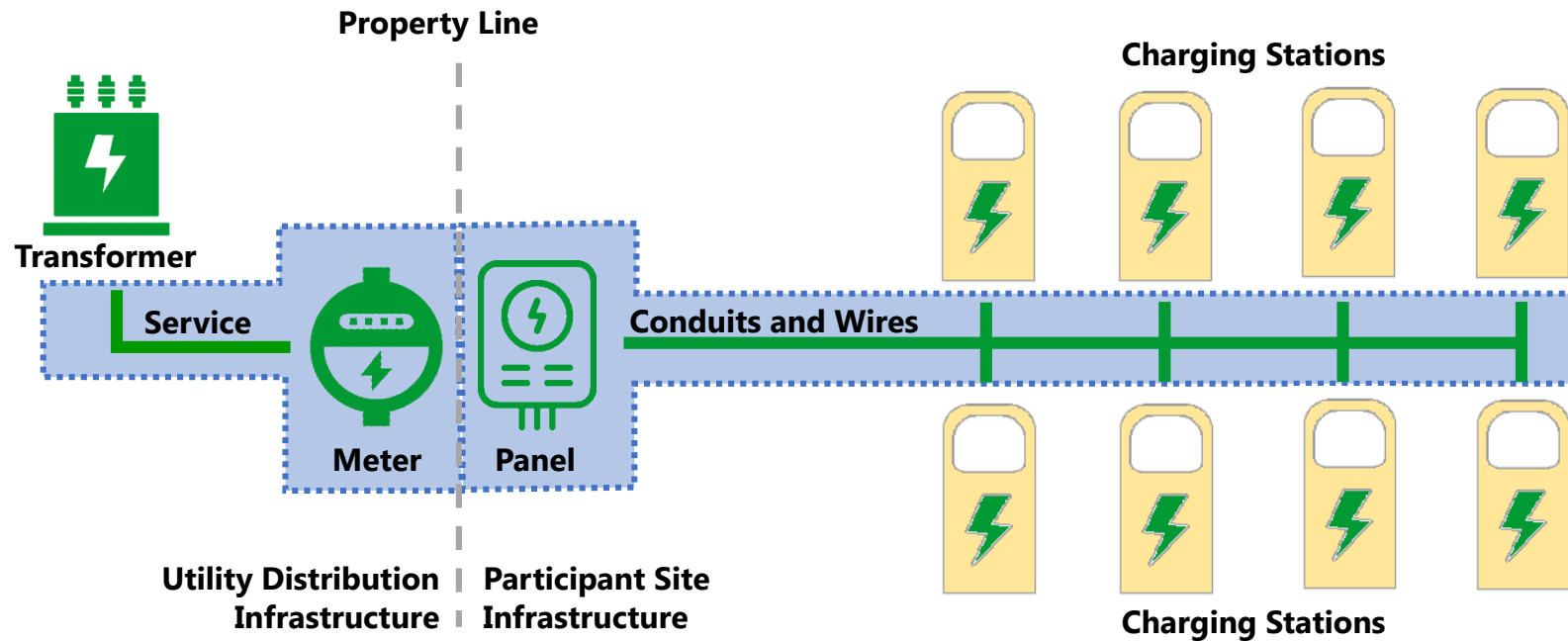
- Launched **Q2 2019**
- Achieve minimum **870 sites** with **8,490 electric vehicles** procured or converted
- Charging station rebates available for **transits, schools and DACs**
- **Key Segments:**
  - Warehouses / Distribution Centers
  - Logistics / Shipping Companies
  - Grocery Chains / Food Delivery / Restaurant Delivery
  - Truck Sales & Leasing
  - Truck Stops
  - Transits, schools, airport shuttles

# Typical Electrical Infrastructure Project

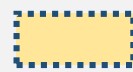


-  Utility builds off-site transformer & service drop to the meter
-  Customer installs on-site electrical panel, conduit, and charging stations

# Charge Ready Transport Infrastructure Project



Utility builds off-site and on-site infrastructure, including transformer, meter, panels, trenching, and conduit. ("make-ready" project)



Customer installs charging stations. Transit agencies, schools, and some businesses in disadvantaged communities eligible for rebate.

# Questions?

**Andrew Papson**

eMobility

Southern California Edison

[andrew.papson@sce.com](mailto:andrew.papson@sce.com)

[sce.com/chargereadytransport](https://sce.com/chargereadytransport)

